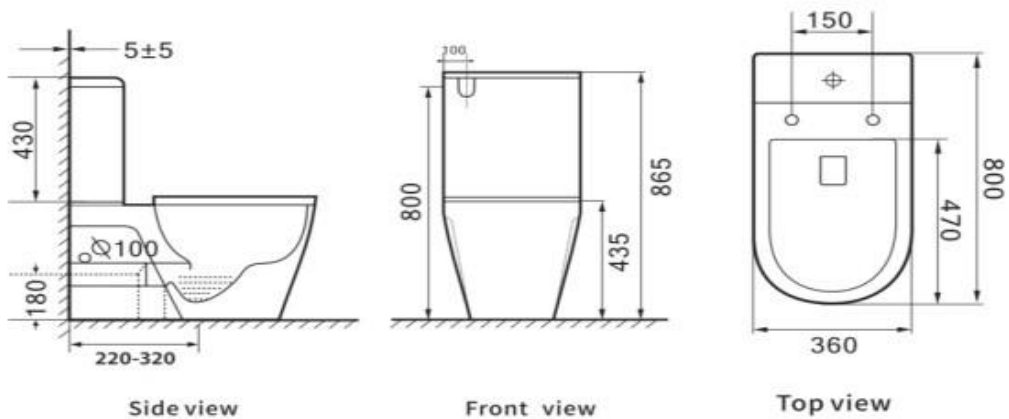


EXTRACARE TOILET SUITE



WELS Reg No: L05776

SPECIFICATIONS



EXTRACARE Back to Wall Rinless Toilet Suite

Raised Height Pan and Grey Flush Button

Suitable for S or P Trap

Dual Flush: 4.5L full flush and 3L half flush

220-320mm (S-Trap)/ 180mm (P-Trap)

Ambulant Toilet Suite compliant with AS1428.1 for use in residential and commercial bathrooms

WARRANTY INFORMATION:

15 Years Replacement Warranty on Ceramic

3 Year Replacement on Toilet Valves

1 Year Replacement for Toilet Seats and Hinges

All products have a full 1 year in house labour warranty from date of purchase (Excluding Seat and Hinges)

ZENMO
Zen-inspired, Modern Living

ADDRESS: 42 Castro Way, Derrimut VIC 3026

PHONE: (03) 8390 6300

OFFICE: ect_sales@outlook.com

SERVICE: ect_service@outlook.com

WEBSITE: www.zenmo.com.au